

1

2

3

4

A

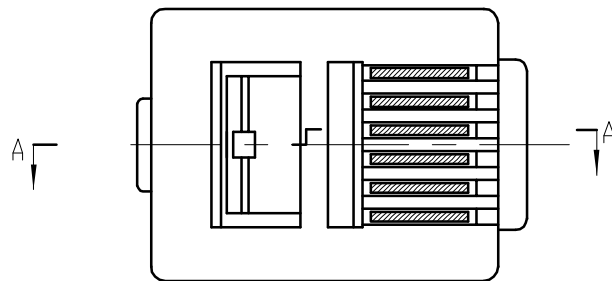
B

C

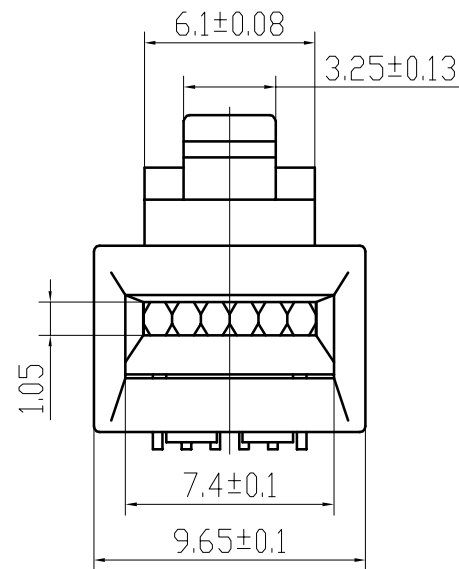
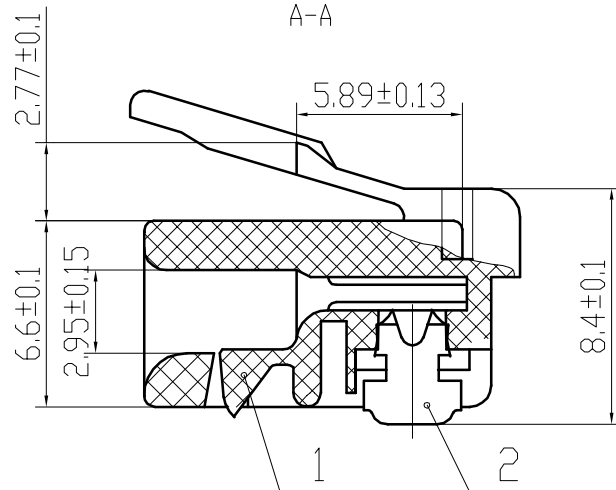
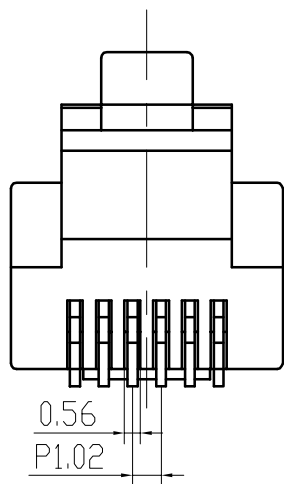
A

B

C



A-A



RoHS Compliant

TOLERANCES

0~10±0.1
 10~20±0.15
 >20±0.2

FIRST ANGLE
 PROJECTION

A4
 SIZE

SCALE
 1:1

UNIT
 mm

CUSTOMER: N/A
 MODEL NO: N/A

1

2

3

4